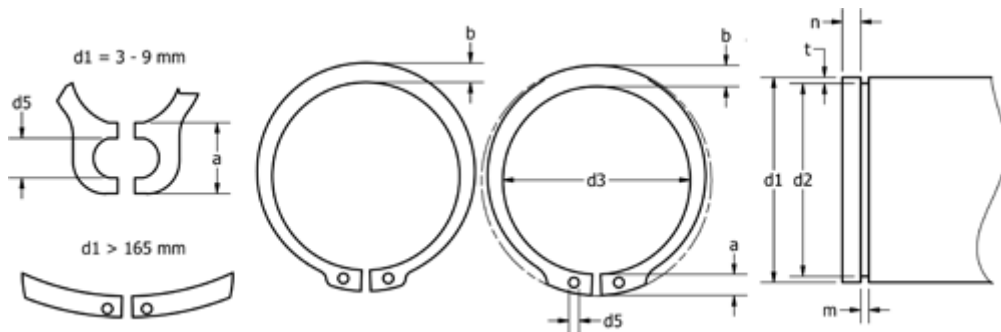


Article number: 01010272
 Description: Retaining ring A 12 DIN 471
 Zinc plated 041
 Note: Fitted with ZGA pilers

Measures



a max	= 3.3	FN kN	= 1.5	s	= 1.00
AN mm ²	= 9.2	FRg kN	= 2.40	t	= 0.25
b	= 1.8	FR kN	= 5.00	tol	= -0.11
d1	= 12	g	= 1.0	tol	= -0.06
d2	= 11.5	K kN-mm	= 24.00	tol	= +0,10+0,36
d3	= 11.0	m min	= 1.10	Tong	= ZGA-1
d5 min	= 1.7	n abl x 1000	= 75.0	Weight kg/1000	= 0.500
Description	= A12	Nominal drive	= 0.8		